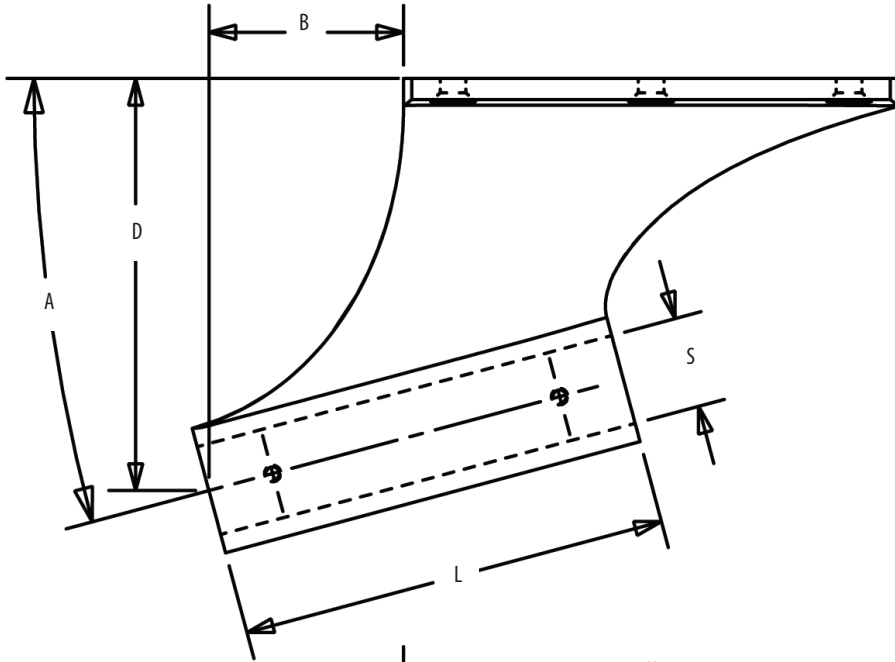


SKI BOAT STRUT WORKSHEET

GENERAL SPECS NEEDED

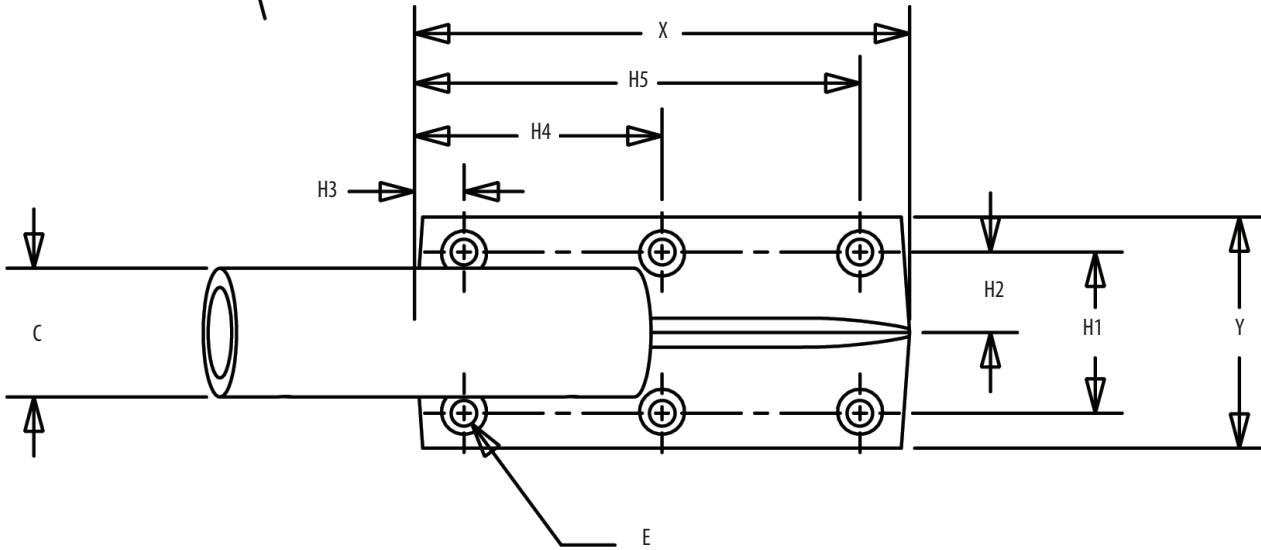
Shaft Dia : _____
 Shaft Angle (A): _____
 Strut Bore (S): _____
 Barrel O.D. (C): _____
 Aft End Drop (D): _____
 Back Sweep (B): _____
 Barrel Length (L): _____
 Base Length (X): _____
 Base Width (Y): _____



No. Mount Holes: _____
 Dia. of Mount Holes: _____
 Mount Hole Type (E): _____

HOLE LOCATION

H1 _____ H4 _____
 H2 _____ H5 _____
 H3 _____ H6 _____



Your Company: _____
 Your Name: _____
 Phone: _____
 Your Email: _____
 Boat Manufacturer: _____
 Year: _____ Boat Length: _____

MARINE HARDWARE
INC.

Redmond, WA Phone: (800) 526-5971 FAX: (425) 869-1232	Ormond Beach, FL Phone: (386) 677-0687 FAX: (386) 676-3869
Email: info@marinehardware.com	