

INBOARD RUDDER WORKSHEET

Nordic

GENERAL SPECS NEEDED

Post Dia. (D) : _____

Post Length Above Blade (L): _____

Keyway Length (K): _____

Height of Blade (X): _____

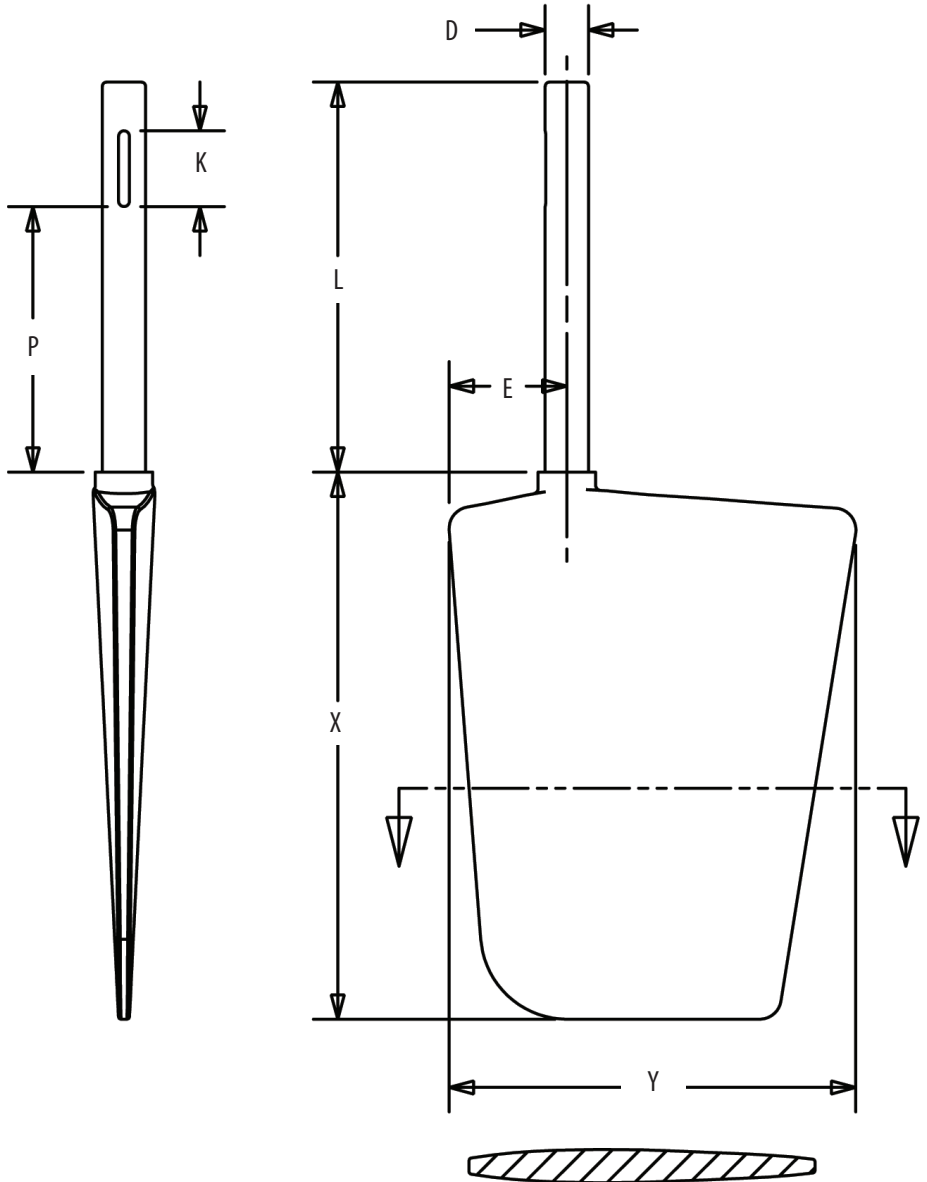
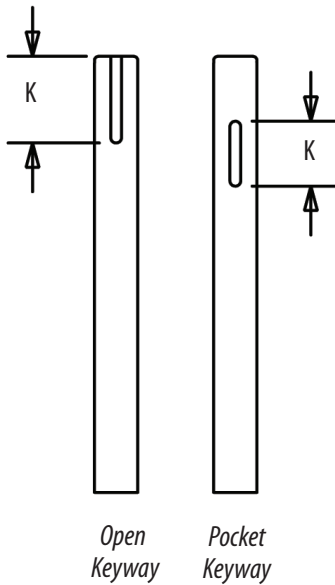
Width of Blade (Y): _____

Leading Edge (E): _____

Distance From Cast Line of
Blade to Bottom of Keyway (P): _____

Keyway Location: *Forward Aft Port Starboard*

Keyway Style: *Open Keyway Pocket Keyway*



Your Company: _____
 Your Name: _____
 Phone: _____
 Your Email: _____
 Boat Manufacturer: _____
 Year: _____ Boat Length: _____

MARINE HARDWARE
INC.

Redmond, WA	Ormond Beach, FL
Phone: (800) 526-5971	Phone: (386) 677-0687
FAX: (425) 869-1232	FAX: (386) 676-3869

Email: info@marinehardware.com